



2VRE45 300A

N19-A5 p



DATA SHEET

release. 0 - Revision 07-2014

Voltage	Frequency	Absorbed Power	Absorbed Current	Capacitor	Airflow	Rotation speed	Acoustic level	Rotation	Operational Temperature
V	Hz	W	A	µF	m³/h	RPM	dBA		Min/Max
230	50	167	0,73	6,0	2715	2675	67	R	-20°C / +55°C
230	60	236	1,04	6,0	3000	2980	70	R	-20°C / +50°C
230	50				1598 CFM				-4°F / 131°F
230	60				1765 CFM				-4°F / 122°F



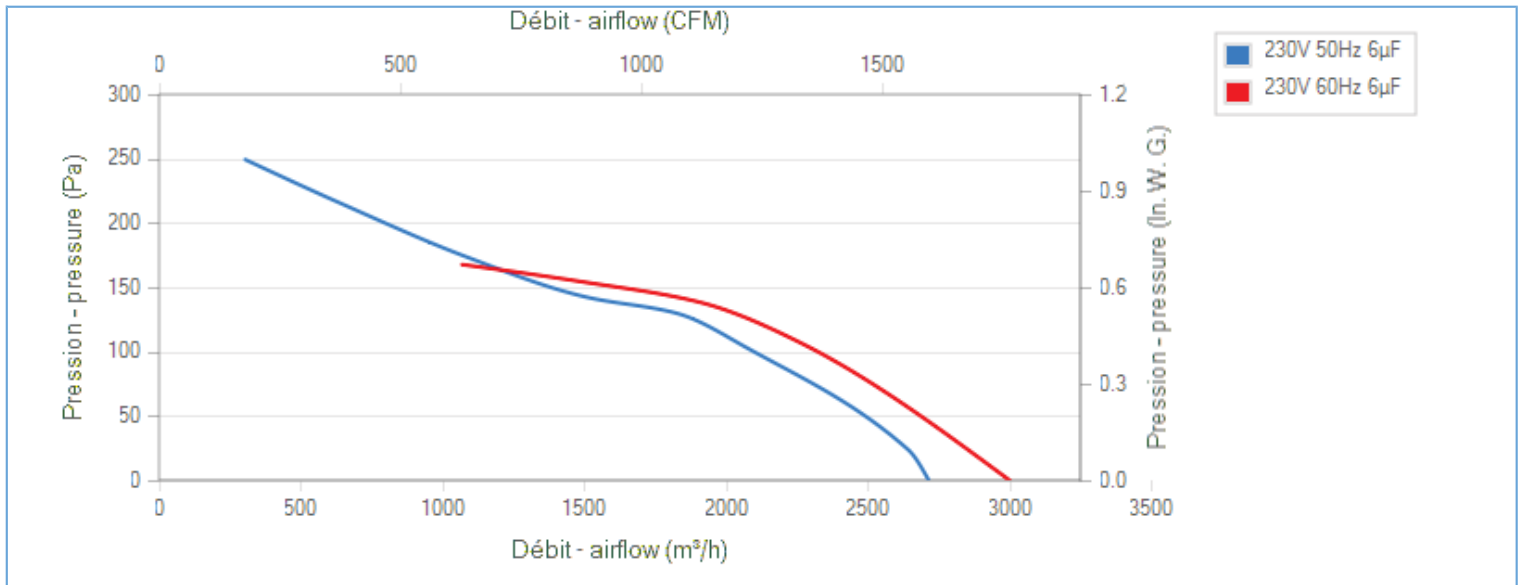
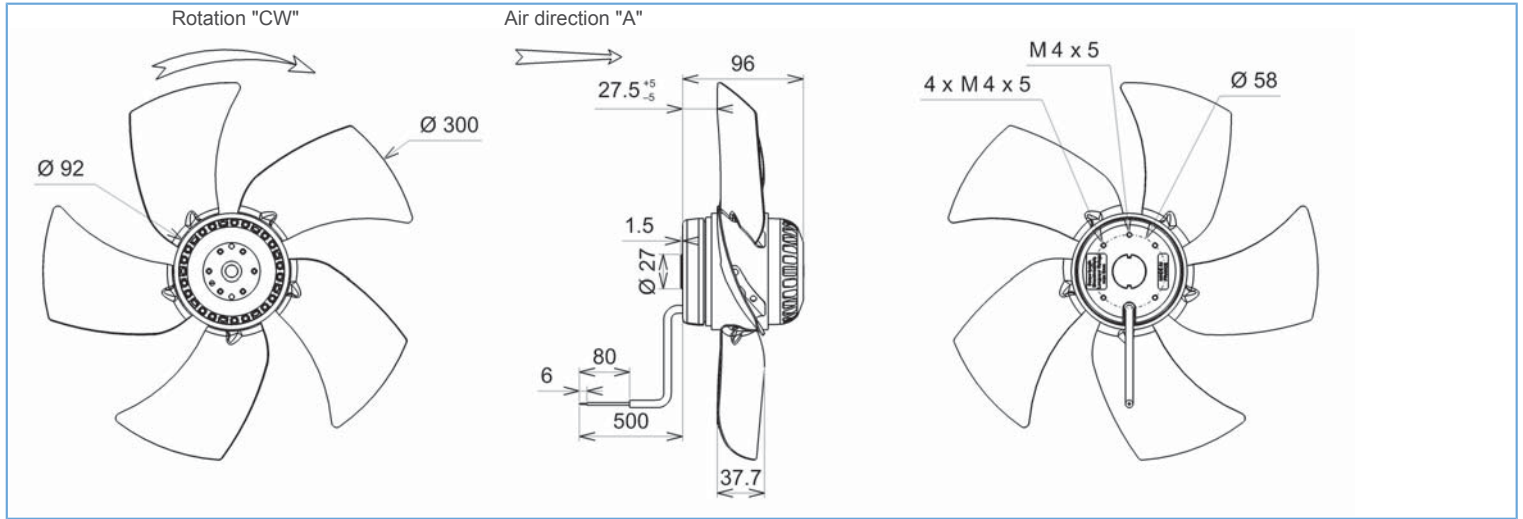
dBA : free blowing

ErP 2013

OK

ErP 2015

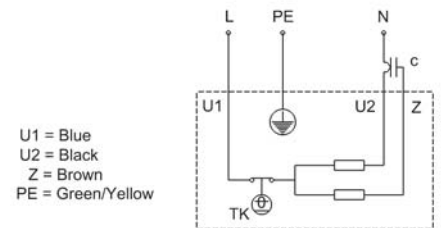
OK



Tested with ECOFIT ring

Description

- .Weight : 2,9 Kg
- .Ball bearing
- .Class F, thermally protected
- .IP44 protection depending on installation and position as per EN60034-5
- .G6.3 balancing
- .Zinc coated impeller
- .Rotor and impeller : black paint



Non contractual document. All specifications are subject to change without prior notice. Picture for information only.



2VRE45 300A

N19-A5 p



DATA SHEET

release. 0 - Revision 07-2014

Data in accordance to ErP directive

Voltage	230	V
Frequency	50	Hz
Power	0,211	kW ⁽¹⁾
Airflow	1824	m ³ /h ⁽¹⁾
Pressure	130	Pa ⁽¹⁾
Rotation speed	2502	RPM ⁽¹⁾

(1) at optimal efficiency point

	Actual	Request 2013	Request 2015
Overall efficiency (η)	31,1	25,4	29,4
Efficiency grade	42	36	40
Installation category	A		
Efficiency category	static		
Variable speed drive	No		
Specific ratio	1,00		

Designed for regular application according ErP directive EU 2009/125/EC

Accessories

Capacitor for 50Hz	19016
Capacitor for 60Hz	19016
Connecting box	39658
Connector	09172

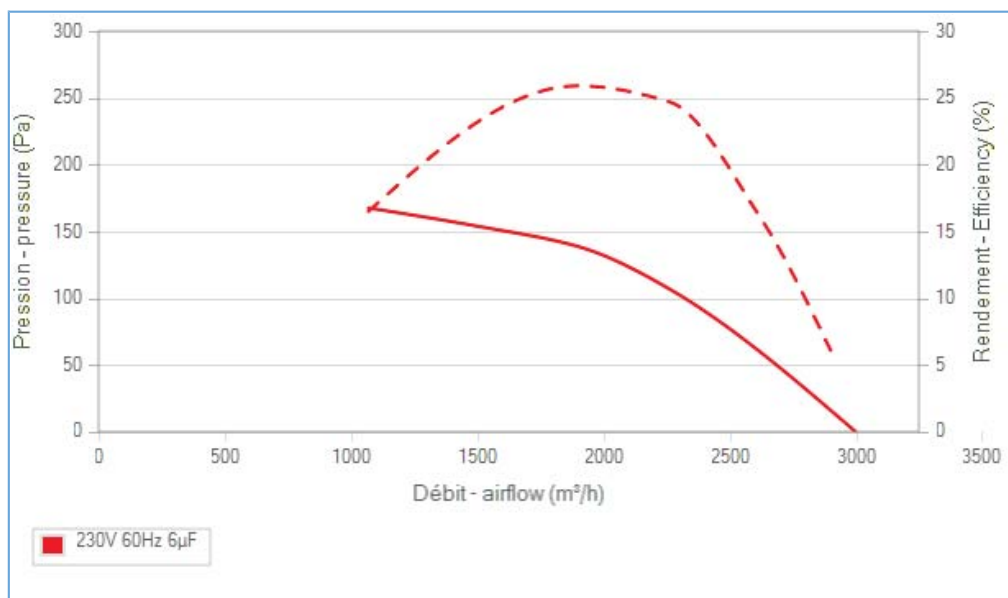
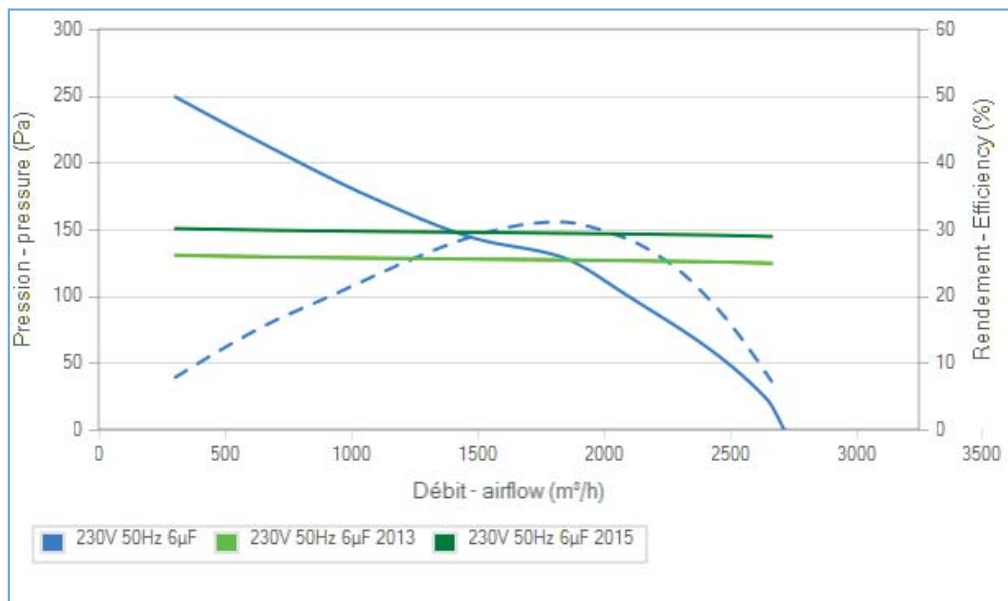
Measurement setup

16086 VIROLE V300 RONDE

Documents

Manuel d'utilisation
www.ecofit.com/site/normes

Operating and recycling manual
www.ecofit.com/anglais/normes



Non contractual document. All specifications are subject to change without prior notice. Picture for information only.

