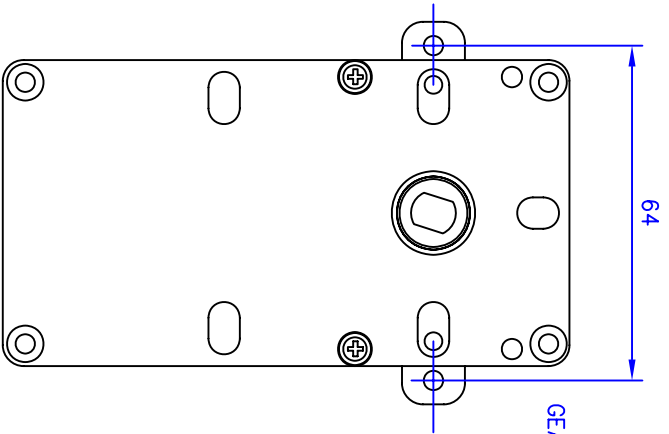
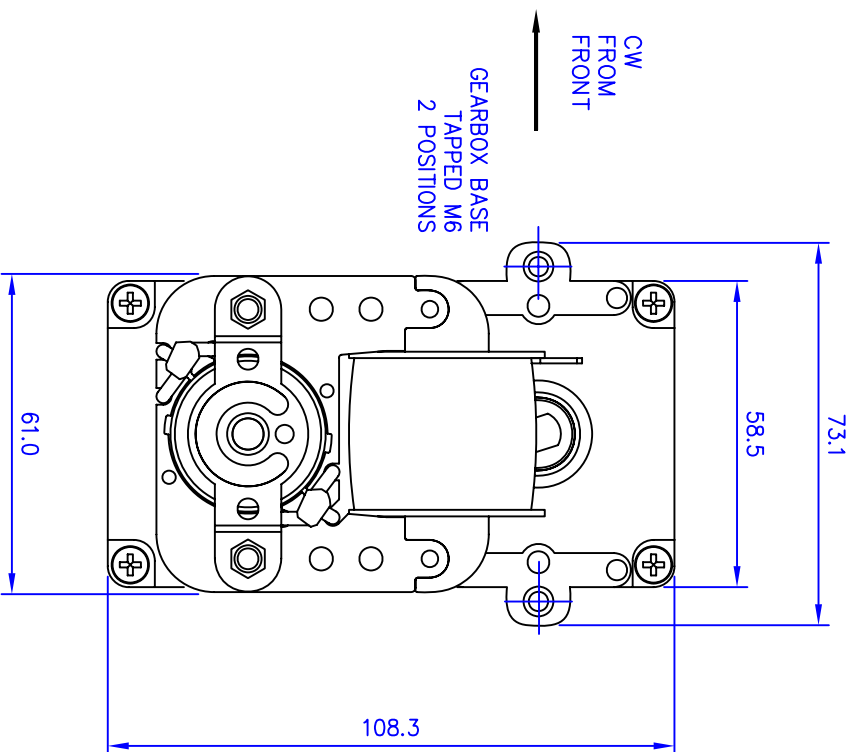
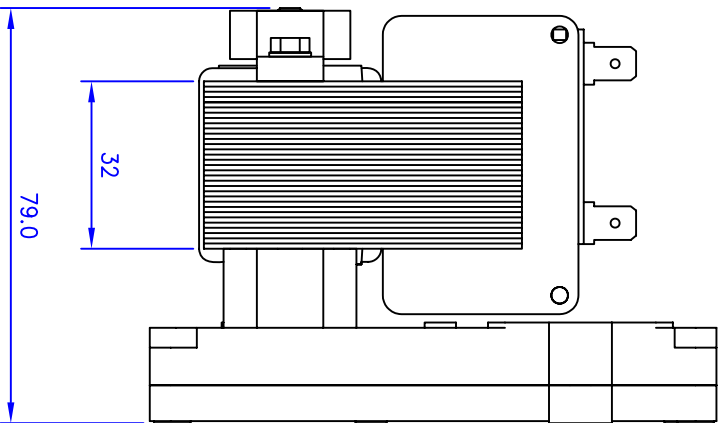


APPROVED	
SIGNATURE	DATE



S.R.B.F. SHAFT 2 WHEEL  
BALL RACE BEARINGS (MOTOR)  
NOISE REDUCING GREASE



MOTOR SPEC

MEM 390 (230v 50Hz)  
1.25" BOBBIN (NYLON – GLASS FILLED CLASS F)  
SOLDERABLE POLYURETHANE WIRE (CLASS H, UL APPROVED)  
125°C SELF RE–SETTING THERMOSTAT (UL APPROVED)  
6.35mm MALE TAGS FITTED  
COVER WITH GLASS CLOTH TAPE (CLASS F)

TECHNICAL DATA

INPUT POWER @ 230v 50Hz – 26WATTS  
NOMINAL CURRENT @ 230v 50Hz – 0.22Amps  
STALLED CURRENT @ 230v 50Hz – 0.35Amps  
OUTPUT TORQUE @ 230v 50Hz – 16Nm  
TEMP. RISE – 21°C–90°C/3Hrs

MELLOR ELECTRICS Ltd		APPROVED		CUSTOMER		SOFTING ITALIA	
BLACKBURN ENGLAND		DRAWN		LC		DESCRIPTION	
		-		16/02/10		T14 SRPM 230v 50Hz	
						PART No	
						KB1008	