

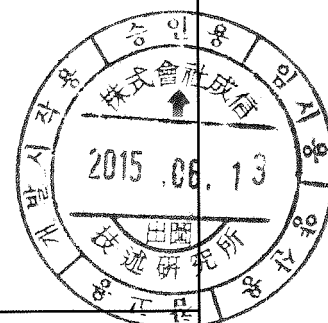
承認用仕様書

NO. 15-0161

GARNET 貴中

MODEL 名 : OSB-9225-A1845I

承認印



年 月 日

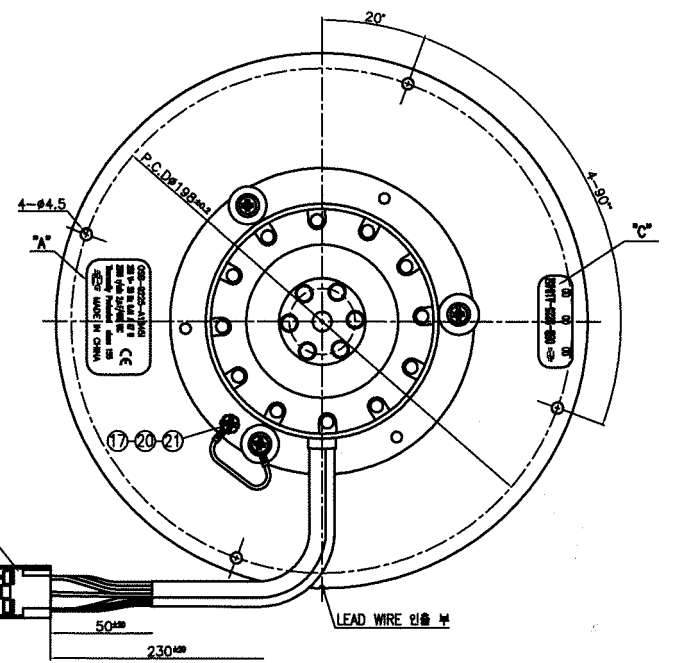
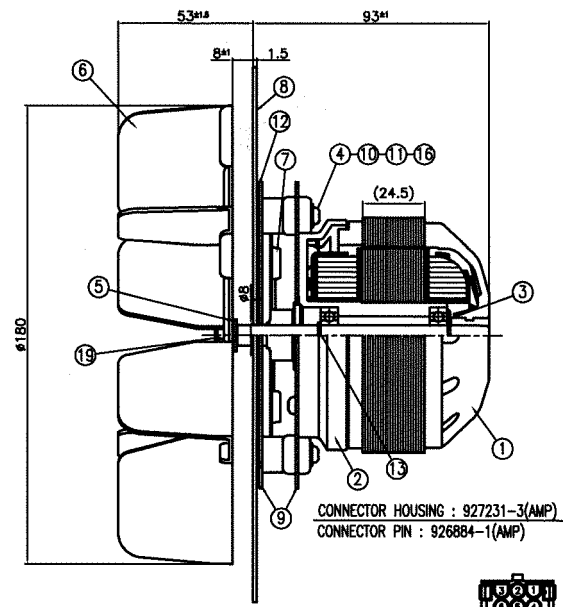
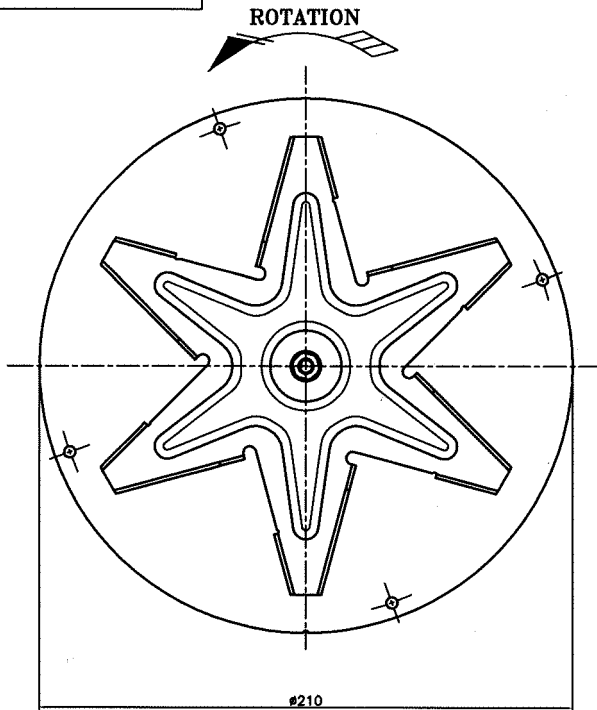
承認印 捺印後 月 日까지 1부 返還하여 주십시오.

 株式會社 成信

본사 : 경남 양산시 어곡동 874-2번지

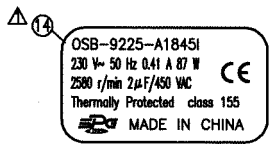
전화 : 055-371-1401

FAX : 055-371-1419

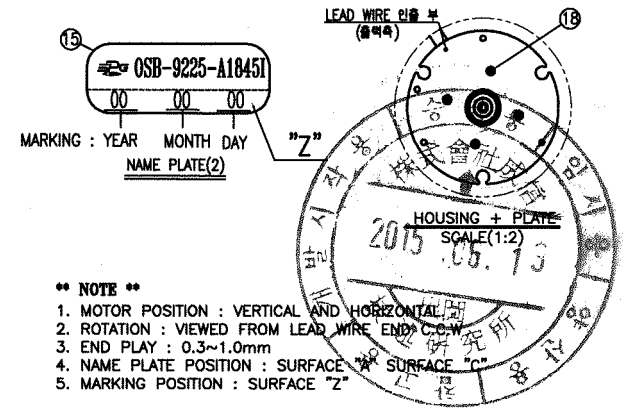


CONNECTOR HOUSING : 927231-3(AMP)
CONNECTOR PIN : 926884-1(AMP)

Number	Color
1	Blue
2	Brown
3	Black
4	
5	Yellow/Green
6	
7	Red(H/L)
8	White(H/L)
9	Black(H/L)

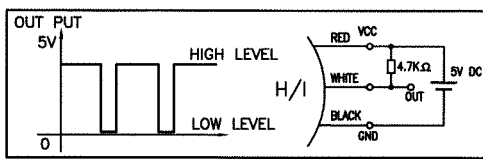


NAME PLATE(1)

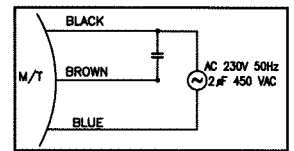


**** NOTE ****

1. MOTOR POSITION : VERTICAL AND HORIZONTAL
2. ROTATION : VIEWED FROM LEAD WIRE END C.W.
3. END PLAY : 0.3~1.0mm
4. NAME PLATE POSITION : SURFACE "A" SURFACE "Z"
5. MARKING POSITION : SURFACE "Z"



H/I DIAGRAM



MOTOR DIAGRAM

ITEM	PART DRAWN NO.	PART NAME	Q'TY	MATERIAL	SIZE	NOTE
21	7-217-4630-02	EARTH WIRE ASS'Y	1	UL1015 #20		OSB-9215-A1520A
20	7-555-0040-00	WASHER(이불이와서)	1	FzY2(CR+3)	M4(φ4.35*φ7.85)	
19	7-549-0052-00	PLANGE NUT	1	MSWR10,Cr+3	M6*FLANGE	Right
18	7-546-4006-90	MACHINE SCREW	4	FzY2(CR+3)	M4*6	
17	7-545-5011-00	TAPPING SCREW	1	FzY2(CR+3)	M5*L11	
16	7-544-4026-00	TAP-TITE SCREW	3	FzY2(CR+3)	M4*26	
15	7-530-8115-00	NAME PLATE(2)	1	TETRON SILVER	40*15	
14	7-530-8114-10	NAME PLATE(1)	1	TETRON SILVER	45*25	
13	7-503-4070-00	축용 C형 링윤형	1	SK-5	7.6*8	
12	7-363-0116-00	SEAL	1	KLINGERSIL	φ120*1T	
11	7-363-0115-00	AL BUSH	3	AL	φ14*φ6.5*L18	
10	7-362-0267-00	MOUNT RUBBER	3	N.B.R	φ15*φ6.5*L11	
9	7-360-1231-10	PLATE	2	SPCC	φ120*1.2T	BLACK
8	7-360-1269-00	PLATE	1	G.I(Galvanized steel iron)	φ210*1.5T	
7	7-340-0306-00	COOLING FAN ASS'Y	1	AL	φ81*1T	
6	7-340-0304-00	FAN	1	SS400(S235)	φ180*H45*1.5T	
5	7-331-0480-00	WASHER	1	SCP-1	φ25*φ6.5*1.6T	
4	7-331-0505-00	WASHER	3	SPC-1	φ9*φ4.2*0.8T	
3	7-311-0053-00	BEARING SPRING	2	SK-5	φ20.65*φ8	
2	7-250-4466-00	H/S+S/T ASS'Y	1	92TYPE 25T		OSB-9225-A1845I
1	7-230-6089-00	ROTOR ASS'Y	1	92TYPE 25T		OSB-9225-A1845I

DATE	15.06.05	이동경	이동경	△부 C엔진으로 인한 N/P 변경			
DESIGN		김희주	김희주	변경 내용	변경 이유		
CHECK		이민용	이민용	NOTE	REVISION		
APPR.				표면 처리	SCALE	N/S	公差 차 ±
				SURFACE FINISH			
				FAN ASS'Y			
				OSB-9225-A1845I			
DATE	14.10.24	도번	7-192-0071-10	작성일	14.10.24	도번	7-192-0071-10

송풍기仕様書(BLOWER SPECIFICATION)

1. 형식 (Type) : **CONDENSER RUN OUTER ROTOR MOTOR & BLOWER**
2. 전원 (Power source) : **AC 230V 50 Hz**
3. 콘덴서 (Capacitor) : **2 μ F 450 VAC**
4. 극 (Pole) : **2 P**
5. 전기특성(Electrical Characteristics)

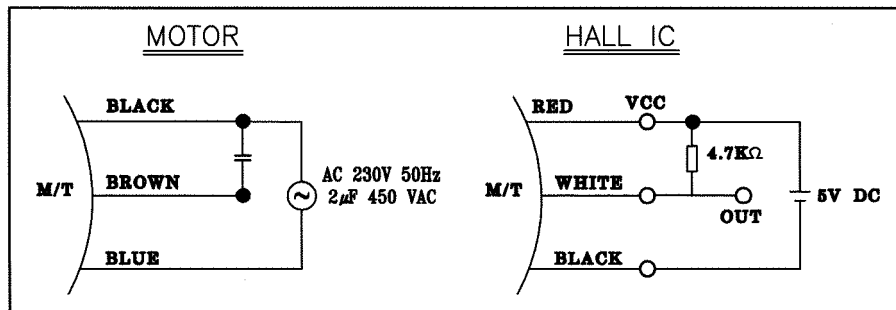
구 격	단 위	정격부하(Rated load)		정격부하(Rated load)	
전류(Current)	mA	410	$\pm 15\%$	520	$\pm 15\%$
입력(Input)	W	87	$\pm 15\%$	118	$\pm 15\%$
회전수(Speed)	RPM	2580	± 150	2065	± 150
기동(Starting) 전압(Voltage)	V	184	MAX.	184	MAX.
비 고		Scroll casing		Without scroll casing	

6. TORQUE DATA (참고치)

정동토크(Stall Torque) Kg-cm	기동토크(Starting Torque) Kg-cm	정격토크(Rate Torque) Kg-cm
2.10	1.09	1.42

7. 출 력(Out Put) : 37.5 W

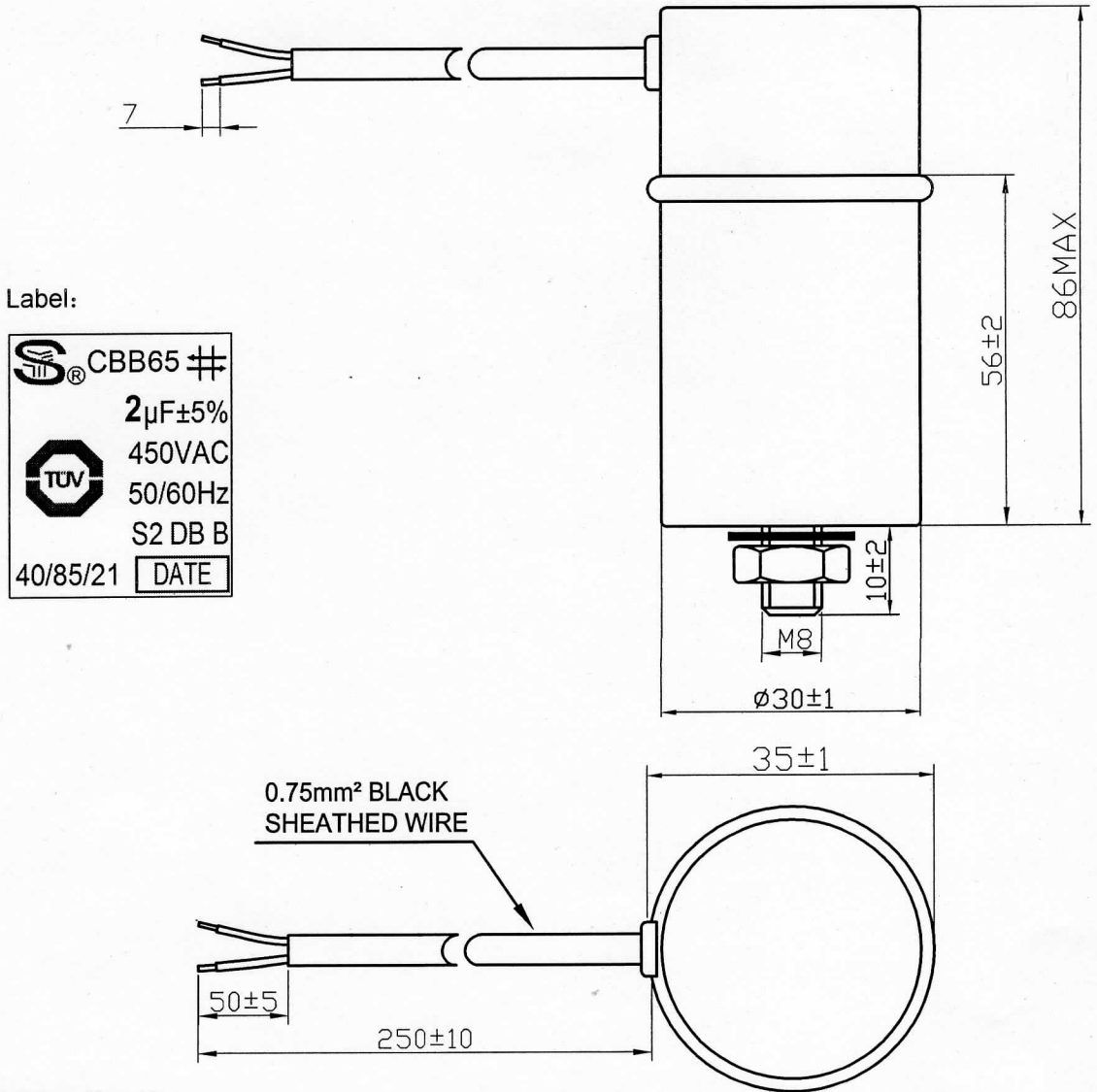
8. 결선도(Connection diagram)



9. 절연등급(Insulation Class) : F종
10. 구출선(Lead Wire) : UL1015 #20(BL,BK,BR)/UL1569 #22(WH,RD,BK)
11. 온도보호장치(Thermal protector) : **145 °C (SENSATA 6AM)**
12. 사용조건 (Shaft position) : 출력축 수직, 수평(vertical and horizontal)
13. 절연내력(Dielectric strength)
권선과 철심간에 AC 1800 V 1 초간 가하여 이상이 없을 것.
(Motor shall withstand a potential of 1800V RMS for 1 second duration between coil leads and frame.)
14. 절연저항 (Insulation resistance) : 권선과 철심간에 DC 500V 가하여 100M Ω 이상일 것.
(100M Ω minimum at DC 500V between winding and frame)
15. 표준시험상태(Standard test Condition)
온도 20°C 濕度 65% RH로 한다. 단, 판정의 의의가 생기지 않을 경우에는 온도 5~35°C 습도 45~85% RH에서 측정하여도 좋다.
(Ambient temperature 20°C(68°F), relative humidity 65% : If there is no doubt for the measured results test may be done at 5~35°C(41~91°F) and 45~85% relative humidity.)
16. HALL IC PCB ASS'Y
Hall IC 인가 전압은 5VDC $\pm 10\%$ 이며 Hall IC 파형은 1 Pulse/1회전 일 것
(The vorage for Hall IC supply should be 5VDC $\pm 10\%$. pull-up resistor between VCC and OUT is needed. Hall sensor 1 impulses per motor round.)
17. 주위 온도(Ambient temperature) : up to 60°C due to hot exhaust air(150°C)
18. 적용 SET (Application) : Pellet heater hot exhaust air
19. 모터의 조립상 및 조립후 SET에서의 소음, 진동, 온도상승, 성능, 안정성, 신뢰성(환경 및 수명) 및 기타 품질에 대한 것은 고객사에 검증 및 책임이 있다.
(Noise, vibration, temperature increase, safety, reliability, performance and others under application assembly condition have to be evaluated by customer and customer is responsible for the problem occurred after assembly in the application)
20. 완성품에 관한 규격, 법령 등에 대한 당사 모터의 적합성에 관해서는 고객사에 검증 및 책임이 있다.
(Suitability of the motor for certificate regulation and any other regulations relevant to finished goods has to be evaluated by customer and customer is responsible for the problem relevant to finished goods)

15.06.05		이동경	△ 부 CE인증 으로 인한 N/P 변경	
날	DATE	서	SIGN	변 경 내 용
				변 경 이 유
				REVISION
제도	설계	검도	승인	도 명
DRAWN	DESIGN	CHECK	APPR.	
이동경		김희수	이인용	NAME
14.10.24				
전동기 사양서 (GARNET)				
OSB-9225-A1845I (EXHAUST AIR)				
작성일	DATE	'14.10.24	도 번	DWG NO.
				7-192-0071-10 △

Capacitor requires 12.7mm additional clearance around terminals for interrupter



Label:

	CBB65	##
	2μF±5%	
	450VAC	
	50/60Hz	
	S2 DB B	
40/85/21	DATE	

Technology specification :

- 1.Capacitance tolerance:2μF±5%.
- 2.Rated voltage:450VAC.
- 3.Rated frequency:50/60Hz.
- 4.Dissipation factor:≤0.0025(at 100Hz).
- 5.Test voltage between terminals:2UnAC/5s.
- 6.Test voltage between terminals and case:2000VAC/2s.
- 7.Maximum permissible overvoltage:110% of the rated voltage.
Maximum permissible overcurrent:130% of the rated current.
- 8.Reference standard: 《IEC 60252-1:2013》 .
- 9.Work temperature range:-40~85 °C.
- 10.Accord with RoHS.
- 11.Life Expectancy:Class B.

Unit: mm

						CBB65-450VAC-2uF			SHENGYE ELECTRICAL CO.,LTD	
									Product Drawing	
Symbol	Amount	Zone	Doc.No.	Signature	Date					
Design	Huang Guoqing	17.05.25	Standard			Design Phases	Weight	Scale		
Drawing	Huang Guoqing	17.05.25								
Auditing	Chen Wenjun	17.05.25							Ver	
Technics			Approved			Top Page1 Page 1			A	