

1 2 3 4 5

A

B

C

D

E

F

A

B

C

D

E

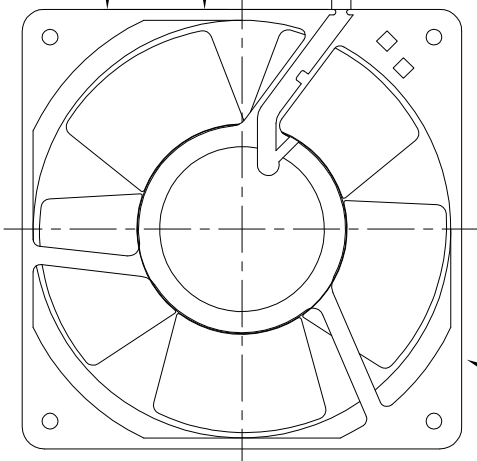
F

N°2 conduttori/conductors  
AWG22

-Guaina e conduttori di tipo siliconico  
per alte temperature.  
-Sheath and conductors like silicon  
High temperature.

Guaina nera  
Black sheath

Codice	L	L1
A12B12HWBMQ106	3000±20	2800±20
A12B23HWBMQ106	3000±20	2800±20
A12B23HWBMQ121	1000±10	870±10



Ventilatore/Fan  
120x120x38

3	Aggiunta versione Q121 e tabella lunghezza cavi	M.S.	s.c.		23/04/14
2	Aggiornato disegno/Update Drawing	M.S.		F.B.	14/06/11
1	Aggiornato codice/Update Part number	M.S.		A.F.	19/05/11
0	Prima emissione/1ST ISSUE	M.S.	A.C.	A.F.	25/02/11

Rev.	Description of the modification	Draft	Checked	Approved	Date
	Unspecified tolerances precision UNI-EN 22768-1 medium				
	over 0 to 6 ±0.1				
	over 6 to 30 ±0.2				
	over 30 to 120 ±0.3				
	over 120 to 400 ±0.5				
	over 400 to 1000 ±0.8				
	over 1000 to 2000 ±1.2				
	over 2000 to 4000 ±2				
	over 4000 -				
	Roughness Ra μm				
	Unspecified radiuses				
	Gross weight Kg				
	Unspecified chamfers				
	Treatment				
	Material				

	Description Ventilatore / Fan	Part number Vedi tabella	Q.ty
		Drawing number DT-00974DSI	Sheet/of 1-1
		Scale 1:2	Format A4

This drawing is Fandis's S.p.A. property. It can not be copied, reproduced, disclosed to other without written approval of Fandis

1 2 3 4 5