

1 2 3 4 5

A

B

C

D

E

F

A

B

C

D

E

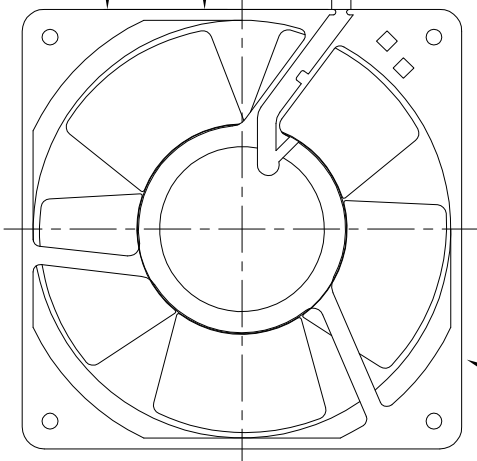
F

N°2 conduttori/conductors
AWG22

-Guaina e conduttori di tipo siliconico
per alte temperature.
-Sheath and conductors like silicon
High temperature.

Guaina nera
Black sheath

Codice	L	L1	Ventil.
A12B12HWBMQ106	3000±20	2800±20	High temp. bearings type (110°C)
A12B23HWBMQ106	3000±20	2800±20	
A12B23HWBMQ121	1000±10	870±10	stainless bearings type
A12B23HWBMQ129	1000±10	870±10	



Ventilatore/Fan
120x120x38

4	Aggiunta versione Q129 e colonna in tabella	M.S.	F.R.	s.c.	15/12/15
3	Aggiunta versione Q121 e tabella lunghezza cavi	M.S.	s.c.		23/04/14
2	Aggiornato disegno/Update Drawing	M.S.		F.B.	14/06/11
1	Aggiornato codice/Update Part number	M.S.		A.F.	19/05/11
0	Prima emissione/1ST ISSUE	M.S.	A.C.	A.F.	25/02/11

Rev.	Description of the modification	Draft	Checked	Approved	Date
	Unspecified tolerances precision UNI-EN 22768-1 medium				
	over 0 to 6 ±0.1				
	over 6 to 30 ±0.2				
	over 30 to 120 ±0.3				
	over 120 to 400 ±0.5				
	over 400 to 1000 ±0.8				
	over 1000 to 2000 ±1.2				
	over 2000 to 4000 ±2				
	over 4000 -				
	Roughness Ra µm				
	Unspecified radiuses				
	Gross weight Kg				
	Unspecified chamfers				
	Treatment				
	Material				
Description Ventilatore / Fan		Part number Vedi tabella		Q.ty	
		Drawing number DT-00974DSI		Scale 1:2	
				Sheet/of 1-1	
				Format A4	



This drawing is Fandis's S.p.A. property. It can not be copied, reproduced, disclosed to other without written approval of Fandis

1 2 3 4 5