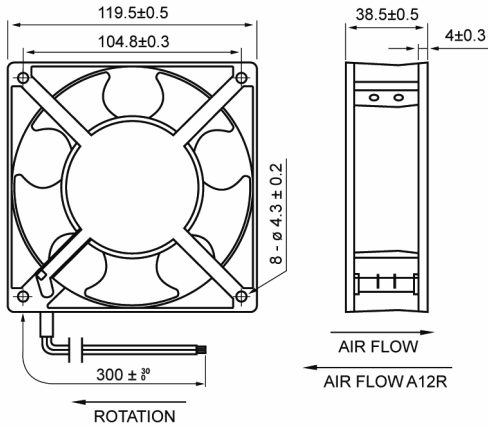


"A12BW" SERIES COSTECH FANS IP55

Description: **Axial fan a.c. 120x120x38mm**



Impeller material

Casing material:

Protection degree:

Fixing system:

Motor protection:

Storage temperature:

Rated temperature range:

Lifetime L10 at 40°C:

Electrical connection:

Weight:

Black thermoplastic UL 94V-0

Die-casting aluminium painted black

IP55, according to EN 60529 standard

by No 4 M4 screws

Impedance

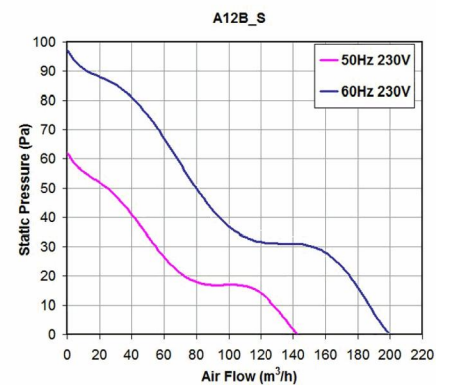
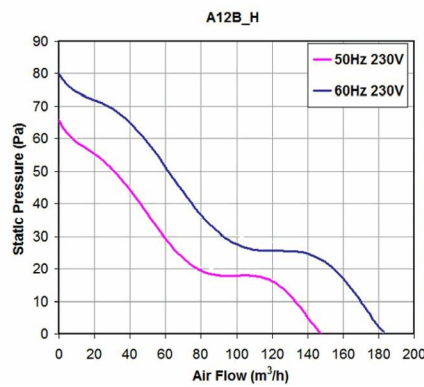
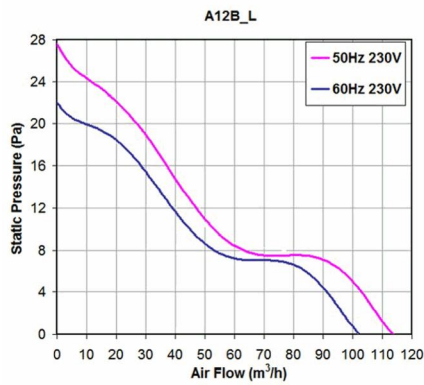
from -40°C to +70°C

from -30°C to +60°C

30.000 h

2 leads 24 AWG UL, 300 mm long

0.590 kg



Model	Bearing	Voltage	Frequency	Rated Current	Rated Power	Max Air Flow**	Static Pressure	Noise	RPM	Approvals
		(V)	(Hz)	(A)	(W)	(m3/h)	(Pa)	[db(A)]	(rpm)	
A12B23HNBWF0	Ball	230 V a.c.	50/60	0.130/0.110	20/19	148/182	65/80	46.0/49.0	2,750/3,050	CE
A12B23LNBWF0	Ball	230 V a.c.	50/60	0.050/0.060	11/10	114/102	27/22	43.0/42.0	2,200/1,800	CE
A12B23SNBWF0	Ball	230 V a.c.	50/60	0.140/0.120	24/22	143/199	62/97	48.0/50.0	2,700/3,100	CE

All specifications, data and drawing are subject to change without notice and are approximate. Please refer to our terms of sales including our warranty and limited liabilities clauses.