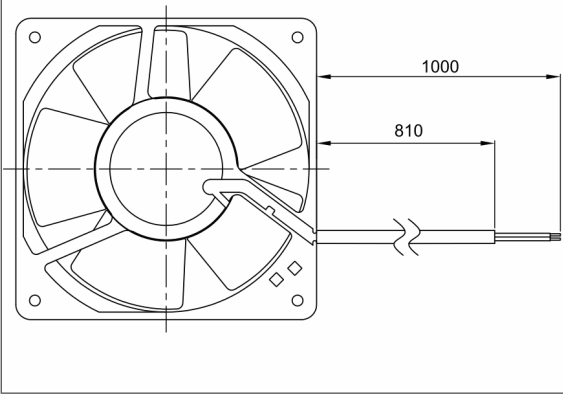
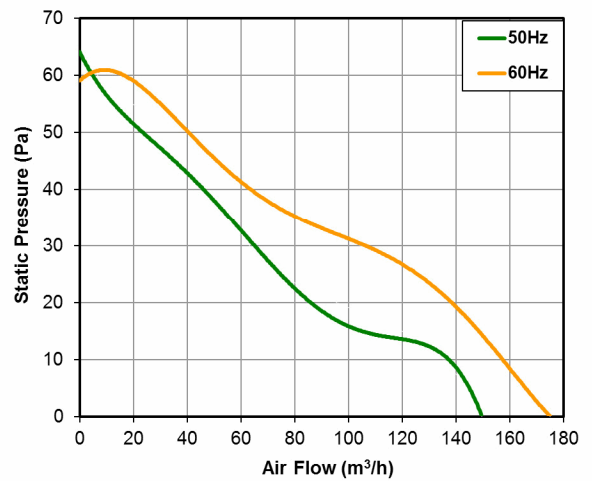


"A12BM" SERIES COSTECH FANS

Description: **Axial fan a.c. 120X120x38mm**



Casing material: Black warrnished aluminum
Impeller material: Metal
Protection degree: IP20, according to EN 60529 standard
Fixing system: by No 4 M4 screws
Motor protection: Impedance
Storage temperature: from -40°C to +90°C
Rated temperature range: from -40°C to +100°C
Lifetime L10 at 40°C: over 40,000 h
Electrical connection: 2 leads 22AWG UL 3266, 1000 mm long
Weight: 0.55 kg



Model	Bearing	Voltage	Frequency	Rated Current	Rated Power	Max Air Flow**	Static Pressure	Noise	RPM	Approvals
		(V)	(Hz)	(A)	(W)	(m3/h)	(Pa)	[db(A)]	(rpm)	
A12B23HWBMQ121	Ball	230 V a.c.	50/60	0.100/0.090	17/15	151/175	65/60	42.0/46.0	2,700/3,100	CE

data with uncertainty of 15%

All specifications, data and drawing are subject to change without notice and are approximate. Please refer to our terms of sales including our warranty and limited liabilities clauses.