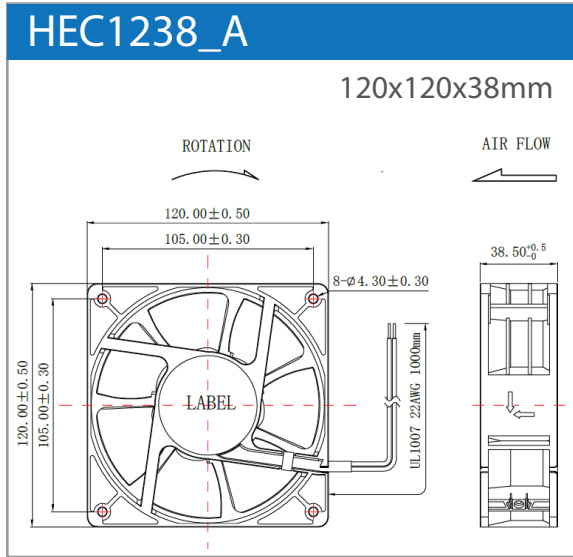
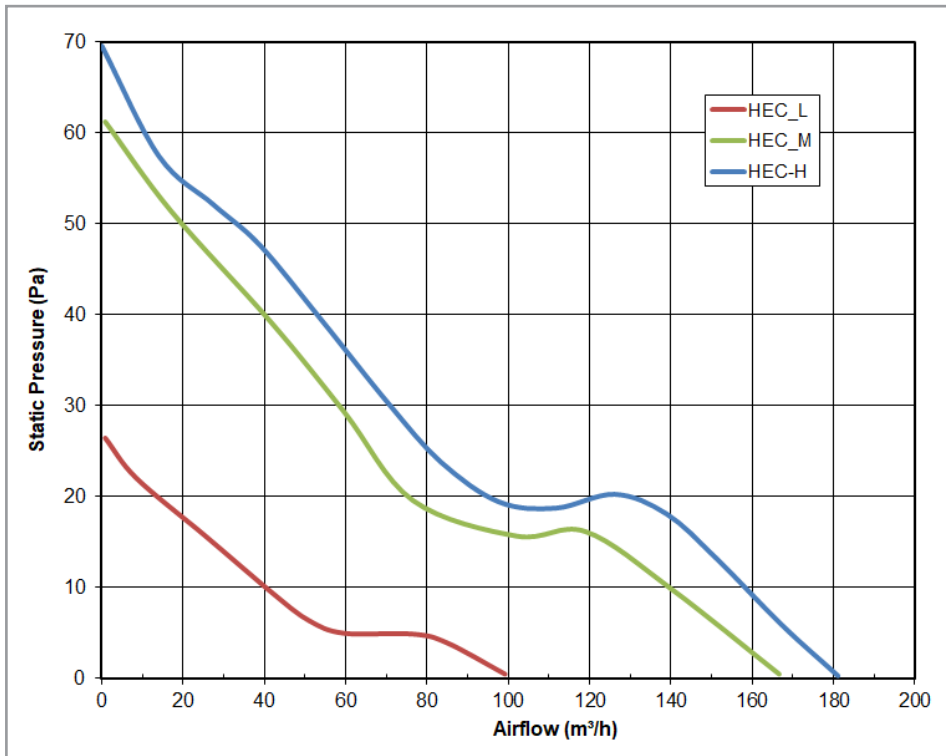


EC ATEX IP68 Axial Compact Fan Technical Information



Casing Material: Thermoplastic UL 94V-0/Black
Impeller Material: Thermoplastic UL 94V-0/Black
Motor Protection: Locked Rotor Protected
Rotation: Clockwise (from label side)
Storage Temperature: -40°C to +70°C
Operating Temperature: -30°C to +70°C
Lifetime (L10 at 40°C): 70,000hrs
Electrical Connection: 2x Lead Wires
Bearings: 2x Ball Bearings
Safety Approvals: CE, ATEX

 II 3G Ex ec IIC Gc



INGRESS PROTECTION 68



ATEX CERTIFICATED



ELECTRONICALLY
COMMUTATED

Model	Voltage (V)	Voltage Range (V)	Speed (rpm)	Rated Current (A)	Rated Power (W)	Max. Air Flow (m³/h)	Max Pressure (Pa)	Noise (dB(A))
HEC1238HA	115/230	85-265	3000	0.16	7.6	181	69.5	45
HEC1238MA	115/230	85-265	2600	0.1	4.5	166	61	39
HEC1238LA	115/230	85-265	1700	0.06	2	99	26	25