

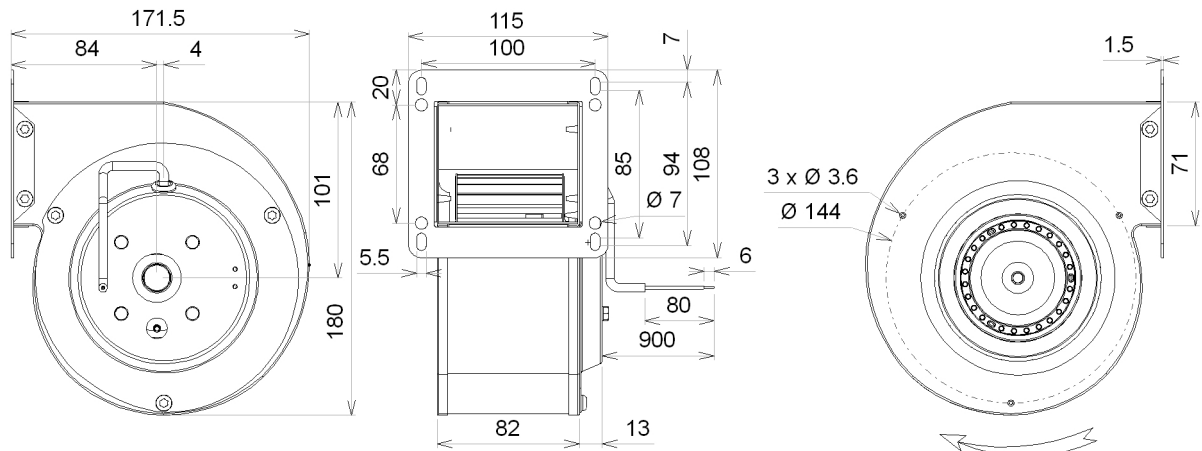
Ind. a - Revision : 05-2008

2GREA3 120x62R P/N D25-A5

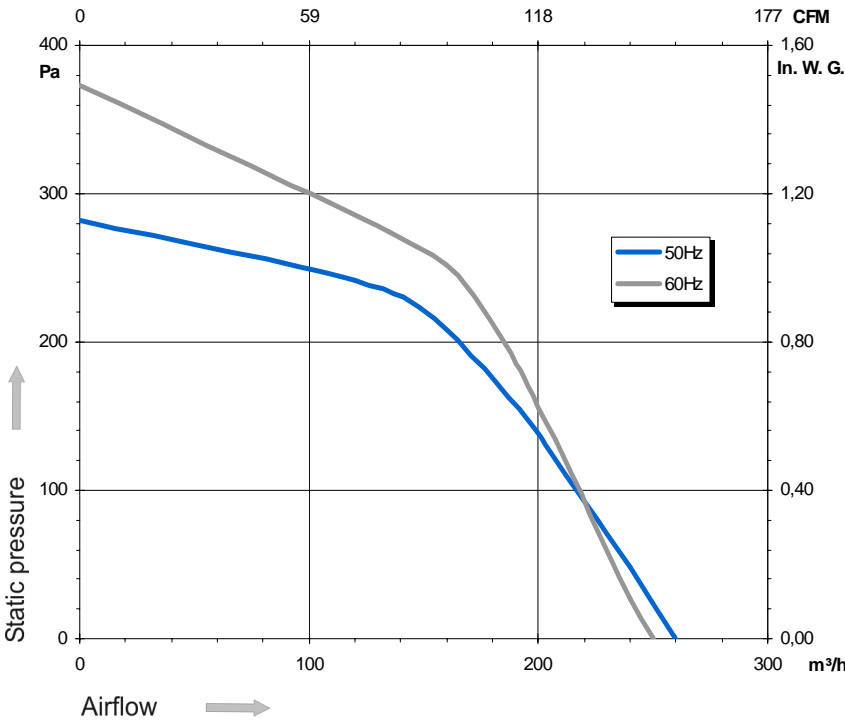
Substitute for M03-19



Voltage	Frequency	Input power	Current	Capacitor	Airflow	Speed rotation	Noise level	Rotation direction	Operating temperature
V	Hz	Wa	A	µF	m³/h	RPM	dBA	↻	Min / Max
230	50	58	0,27	2,0	260	1 715	49	R	-20°C / +70°C
230	60	67	0,32	2,0	250	1 635	49	R	-20°C / +70°C
230	50				153 CFM				-4°F / +158°F
230	60				147 CFM				-4°F / +158°F

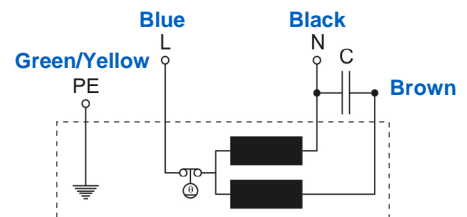


Rotation "CW"



- Weight : 1,8 Kg
- Ball bearing
- Class F, thermally protected
- IP44 protection
- G2.5 balancing
- Galvanized steel scroll housing
- Rotor : black paint
- Scroll housing : black paint

Capacitor for 50Hz	Capacitor for 60Hz	Finger guard
19008	19008	21236



Non contractual document. All specifications are subject to change without prior notice. Picture for information only.