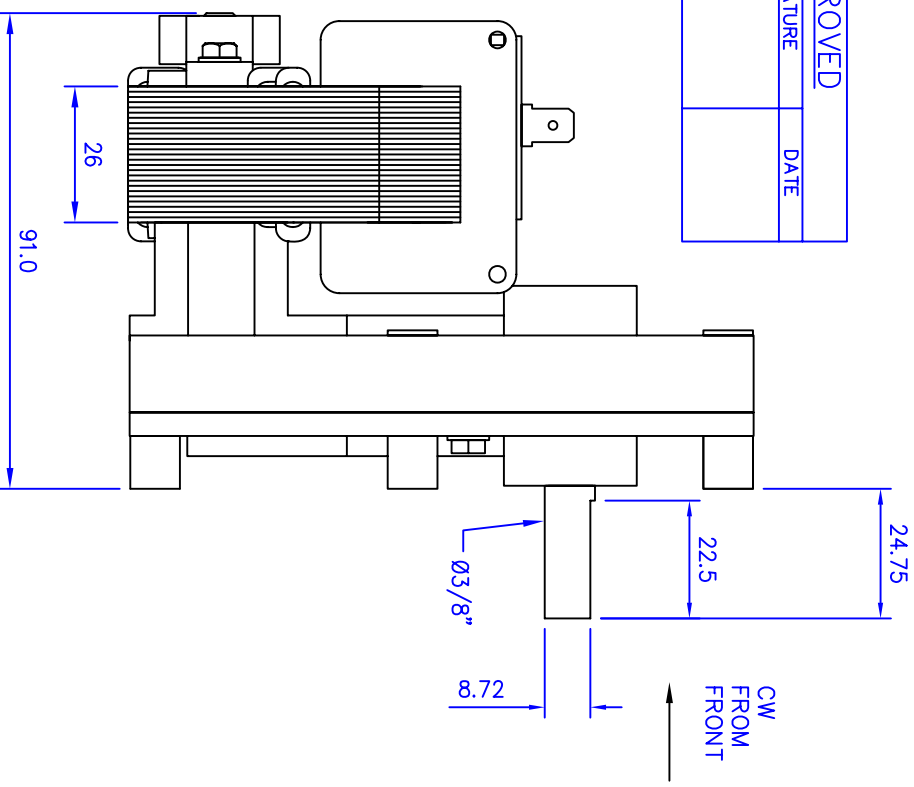
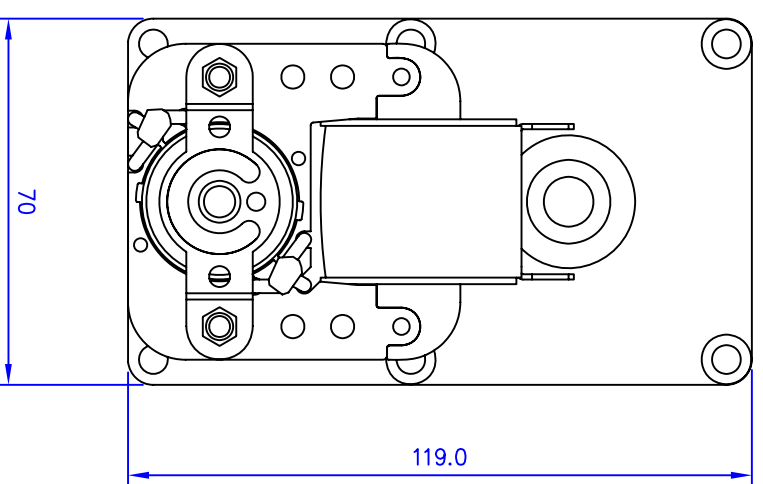


MOUNTING HOLES  
TAPPED M5  
6 POSITIONS

APPROVED	
SIGNATURE	DATE



HELICAL INPUT  
DELFIN SHAFT 2 WHEEL  
NOISE REDUCING GREASE  
BALL RACE BEARINGS ON MOTOR



It is the customers responsibility to fully test for suitability in the application.

MOTOR SPEC

MEM 510 (230v 50HZ)  
1.00" BOBBIN (NYLON – GLASS FILLED CLASS F)  
SOLDERABLE POLYURETHANE WIRE (CLASS H, UL APPROVED)  
125°C SELF RESETTING THERMOSTAT FITTED (UL APPROVED)  
6.35mm MALE TAGS FITTED  
COVER WITH GLASS CLOTH TAPE (CLASS F)  
GEARBOX TO RUN CLOCKWISE WHEN VIEWED FROM THE FRONT

TECHNICAL DATA

INPUT POWER @ 230v 50Hz – 18WATTS  
NOMINAL CURRENT @ 230v 50Hz – 0.16Amps  
STALLED CURRENT @ 230v 50Hz – 0.24Amps  
STALL TORQUE @ 230v 50Hz – 28Nm (±10%)  
START TORQUE @ 230v 50Hz – 19Nm (±10%)  
NOISE LEVEL: 60dB (A) Max. @ 300mm (no load)

MELLOR ELECTRICS Ltd	APPROVED	-	-	CUSTOMER	SOFTING ITALIA	PART No
BLACKBURN ENGLAND	DRAWN	LC	24/10/16	DESCRIPTION	T3 SC9-100 2.0rpm 230v 50Hz	FB1183