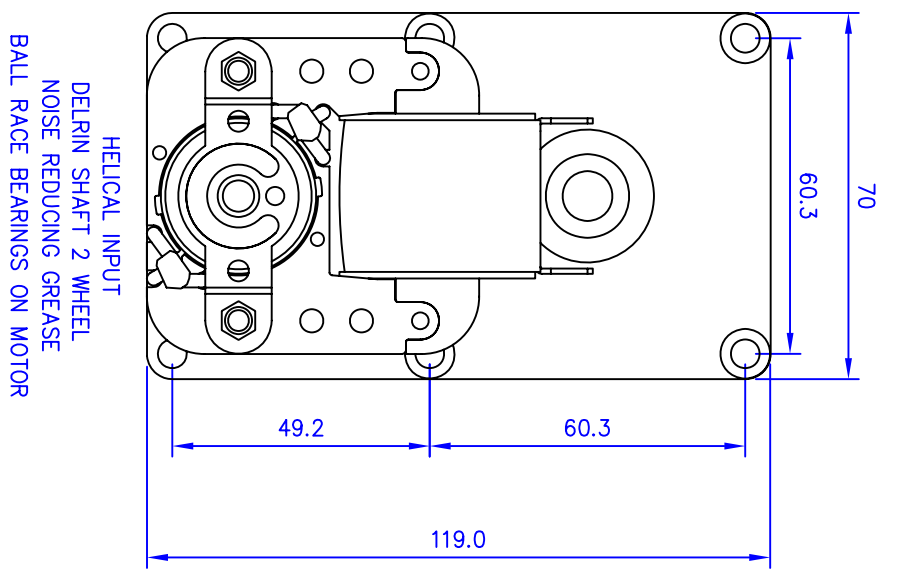
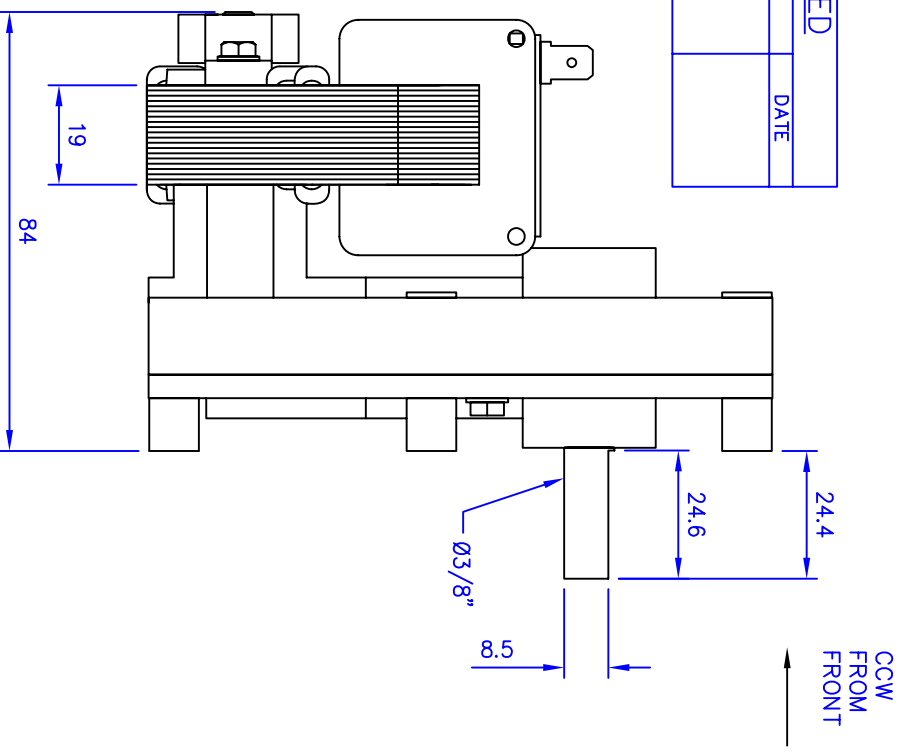


APPROVED	
SIGNATURE	DATE



MOTOR SPEC

MEM 399 (230v 50Hz)  
 0.75" BOBBIN (NYLON – GLASS FILLED CLASS F)  
 SOLDERABLE POLYURETHANE WIRE (CLASS H, UL APPROVED)  
 125°C THERMOSTAT  
 6.35mm MALE TAGS FITTED  
 COVER WITH GLASS CLOTH TAPE (CLASS F)

TECHNICAL DATA

INPUT POWER @ 230v 50Hz – 19 WATTS  
 NOMINAL CURRENT @ 230v 50Hz – 0.19Amps  
 STALLED CURRENT @ 230v 50Hz – 0.24Amps  
 OUTPUT TORQUE @ 230v 50Hz – 23Nm

MELLOR ELECTRICS Ltd	APPROVED	-	-	CUSTOMER	SOFTING ITALIA	PART No
BLACKBURN ENGLAND	DRAWN	LC	19/06/13	DESCRIPTION	SC9-075 1.5RPM 230v 50Hz	FB1268