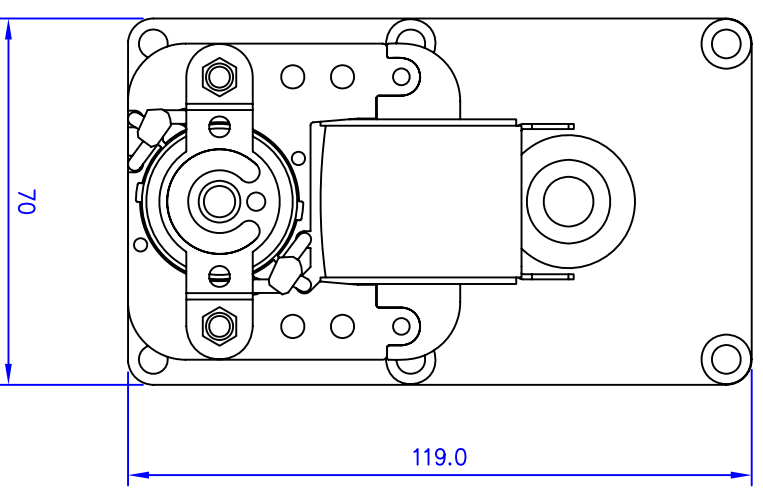
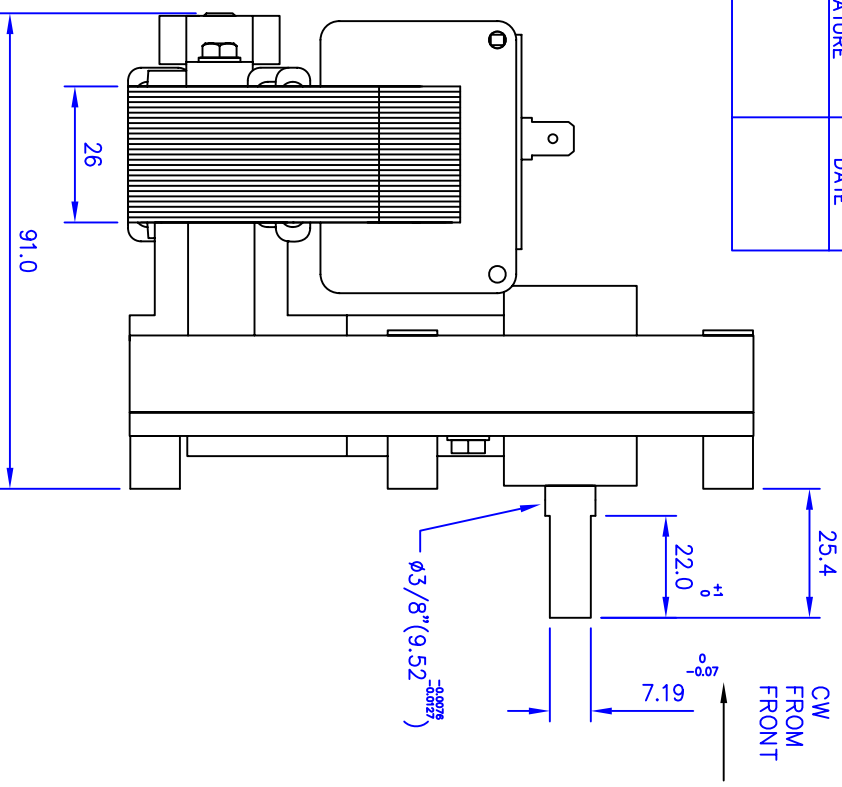
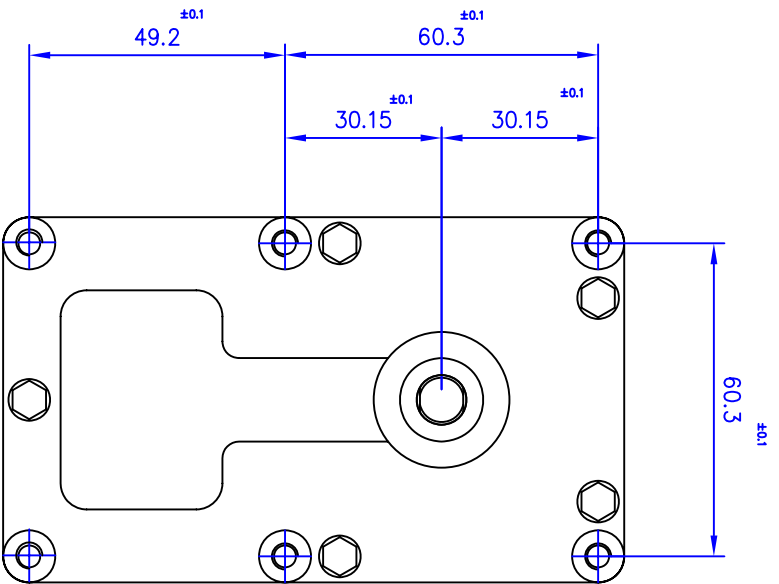


APPROVED	
SIGNATURE	DATE



HELICAL INPUT
 DELRIN SHAFT 2 WHEEL
 NOISE REDUCING GREASE
 BALL RACE BEARINGS ON MOTOR

MOTOR SPEC

MEM 378 (230v 50HZ)
 1.00" BOBBIN (NYLON – GLASS FILLED CLASS F)
 SOLDERABLE POLYURETHANE WIRE (CLASS H, UL APPROVED)
 125°C SELF RESETTING THERMOSTAT FITTED (UL APPROVED)
 6.35mm MALE TAGS FITTED
 COVER WITH GLASS CLOTH TAPE (CLASS F)
 GEARBOX TO RUN CLOCKWISE WHEN VIEWED FROM THE FRONT

TECHNICAL DATA

INPUT POWER @ 230v 50Hz – 17WATTS
 NOMINAL CURRENT @ 230v 50Hz – 0.13Amps
 STALLED CURRENT @ 230v 50Hz – 0.19Amps
 OUTPUT TORQUE @ 230v 50Hz – 26Nm

MELLOR ELECTRICS Ltd	APPROVED	-	-	CUSTOMER	SOFTING ITALIA	PART No
BLACKBURN ENGLAND	DRAWN	LC	13/04/11	DESCRIPTION	T3 SC9-100 1.26RPM 230v 50Hz	FB1192