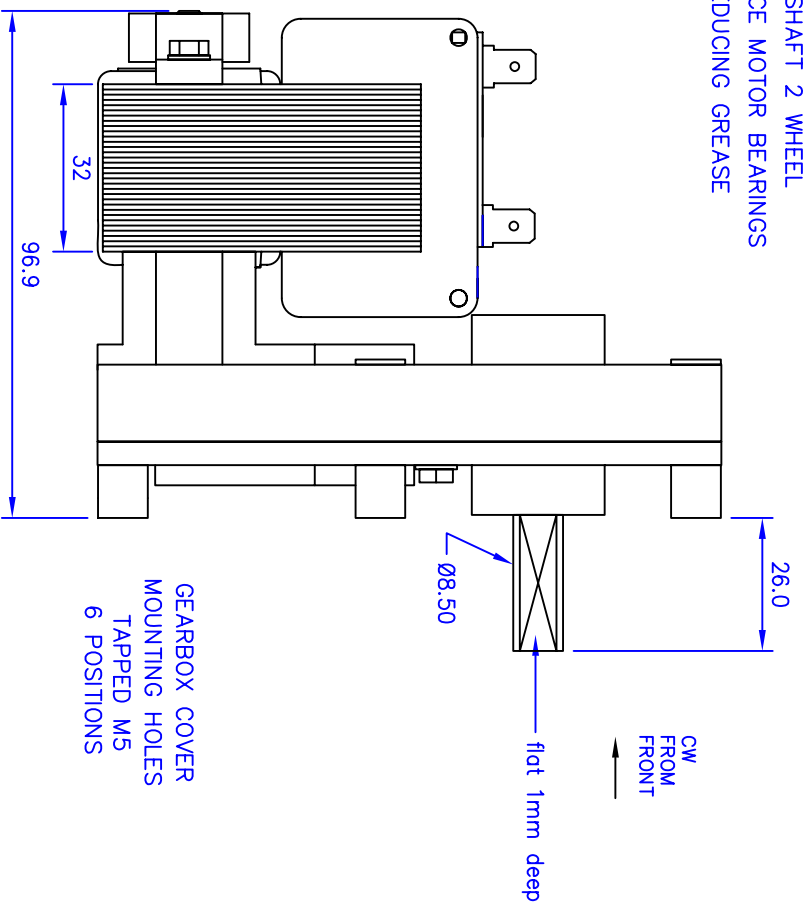
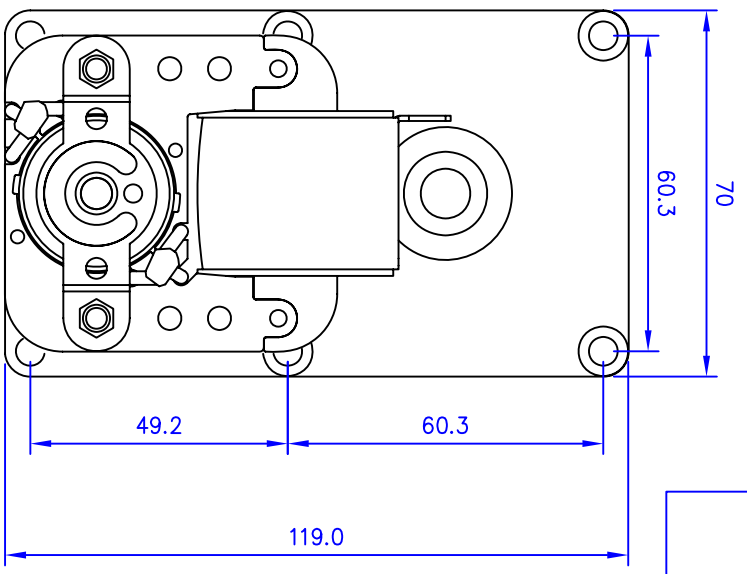


HELICAL INPUT
 S.R.B.F. SHAFT 2 WHEEL
 BALL RACE MOTOR BEARINGS
 NOISE REDUCING GREASE



GEARBOX COVER
 MOUNTING HOLES
 TAPPED M5
 6 POSITIONS



MOTOR SPEC

MEM 390 (230v 50HZ)
 1.25" BOBBIN (NYLON – GLASS FILLED CLASS F)
 SOLDERABLE POLYURETHANE WIRE (CLASS H, UL APPROVED)
 125°C SELF RESETTING THERMOSTAT FITTED (UL APPROVED)
 6.35mm MALE TAGS FITTED
 COVER WITH GLASS CLOTH TAPE (CLASS F)
 GEARBOX TO RUN CLOCKWISE WHEN VIEWED FROM THE FRONT

TECHNICAL DATA

INPUT POWER @ 230v 50Hz – 28WATTS
 NOMINAL CURRENT @ 230v 50Hz – 0.25Amps
 STALLED CURRENT @ 230v 50Hz – 0.38Amps
 OUTPUT TORQUE @ 230v 50Hz – 25Nm

APPROVED	
SIGNATURE	DATE

MELLOR ELECTRICS Ltd
 BLACKBURN ENGLAND

APPROVED
 DRAWN

LC

CUSTOMER
 DESCRIPTION
 T3 SC9-125/3rpm 230v AC

SOFTING ITALIA
 PART No
 FB1167