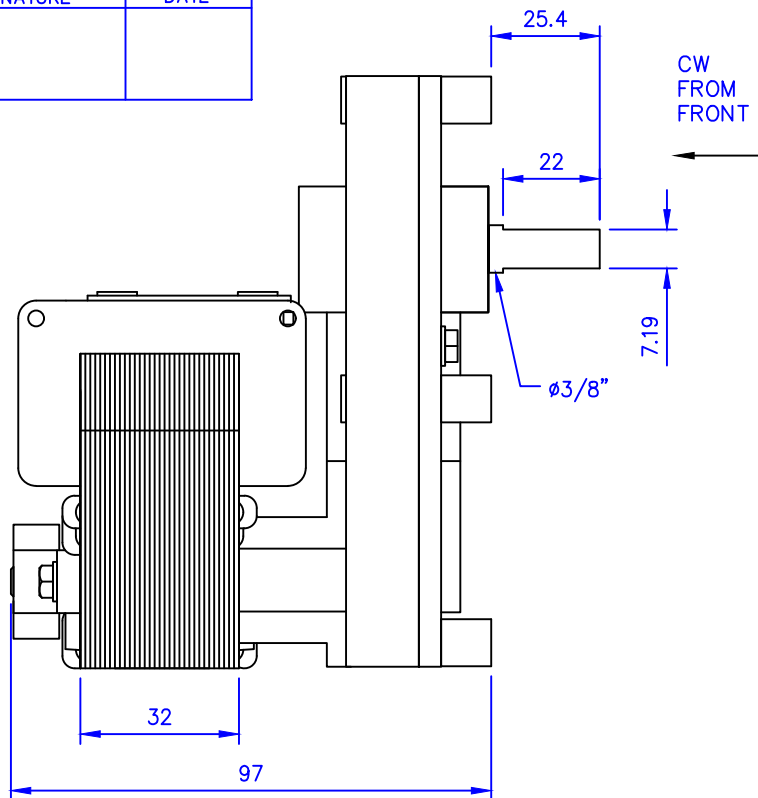
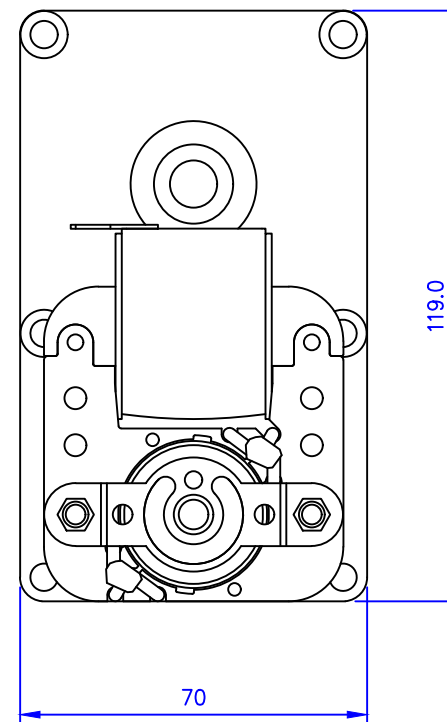


MOUNTING HOLES
TAPPED M5
6 POSITIONS

APPROVED	
SIGNATURE	DATE



HELICAL INPUT
S.R.B.F. SHAFT 2 WHEEL
NOISE REDUCING GREASE
BALL RACE BEARINGS ON MOTOR



It is the customers responsibility to fully test for suitability in the application.

MOTOR SPEC

MEM 282 (230v 50Hz)
1.25" BOBBIN (NYLON – GLASS FILLED CLASS F)
SOLDERABLE POLYURETHANE WIRE (CLASS H, UL APPROVED)
125°C SELF RESETTING THERMOSTAT FITTED (UL APPROVED)
6.35mm MALE TAGS FITTED
COVER WITH GLASS CLOTH TAPE (CLASS F)
GEARBOX TO RUN CLOCKWISE WHEN VIEWED FROM THE FRONT

TECHNICAL DATA

INPUT POWER @ 230v 50Hz – 36WATTS
NOMINAL CURRENT @ 230v 50Hz – 0.33Amps
STALLED CURRENT @ 230v 50Hz – 0.47Amps
STALL TORQUE @ 230v 50Hz – 28Nm (±10%)
START TORQUE @ 230v 50Hz – 15Nm (±10%)
NOISE LEVEL; 60dB (A) Max. @ 300mm (no load)

MELLOR ELECTRICS Ltd	APPROVED	–	–	CUSTOMER	SOFTING ITALIA
BLACKBURN ENGLAND	DRAWN	LC	19/03/18	DESCRIPTION	T3 SC9–125 4RPM 230v 50Hz
				PART No	FB1255