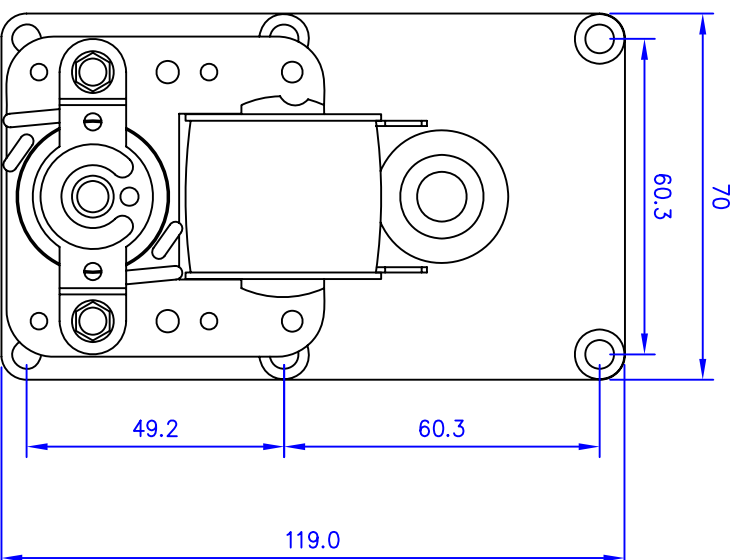
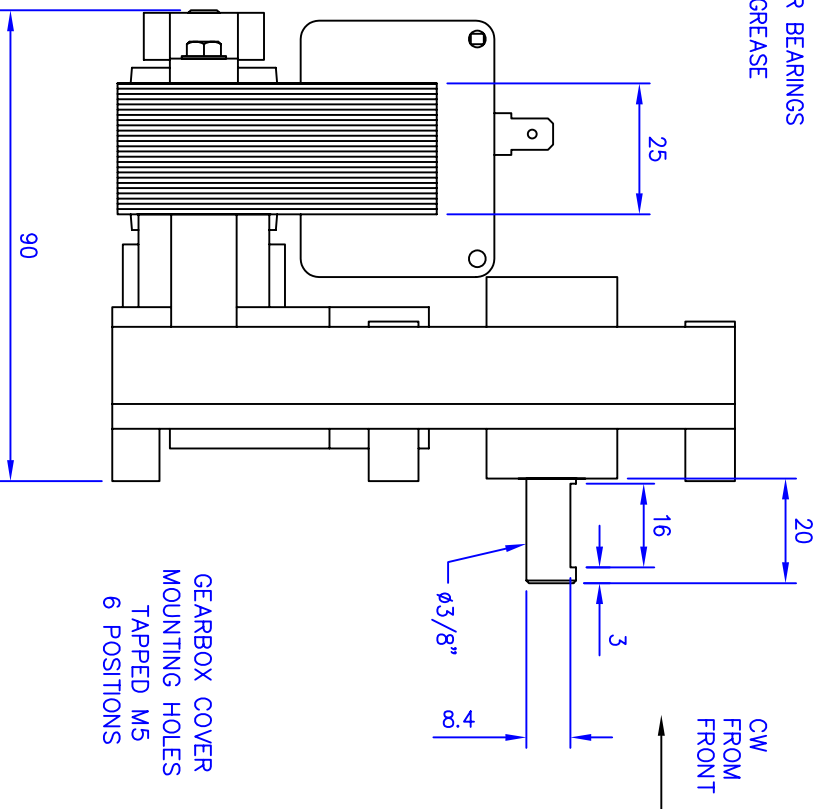


HELICAL INPUT
 DELRIN SHAFT 2 WHEEL
 BALL RACE MOTOR BEARINGS
 NOISE REDUCING GREASE



APPROVED	
SIGNATURE	DATE

It is the customers responsibility to fully test for suitability in the application.

MOTOR SPEC

MEM 384 (230v 50HZ)
 1.00" BOBBIN (NYLON – GLASS FILLED CLASS F)
 SOLDERABLE POLYURETHANE WIRE (CLASS H, UL APPROVED)
 125°C SELF RESETTING THERMOSTAT FITTED (UL APPROVED)
 6.35mm MALE TAGS FITTED
 COVER WITH GLASS CLOTH TAPE (CLASS F)
 GEARBOX TO RUN CLOCKWISE WHEN VIEWED FROM THE FRONT

TECHNICAL DATA

INPUT POWER @ 230v 50Hz – 16WATTS
 NOMINAL CURRENT @ 230v 50Hz – 0.15Amps
 STALLED CURRENT @ 230v 50Hz – 0.21Amps
 STALL TORQUE @ 230v 50Hz – 32Nm (±10%)
 START TORQUE @ 230v 50Hz – 20Nm (±10%)
 NOISE LEVEL; 60dB (A) Max. @ 300mm (no load)

MELLOR ELECTRICS Ltd		APPROVED	-	-	CUSTOMER	SOFTING ITALIA	
BLACKBURN ENGLAND		DRAWN	LC	24/10/16	DESCRIPTION	SC9-100 1.5RPM 230v 50Hz	
					PART No	FB1171	