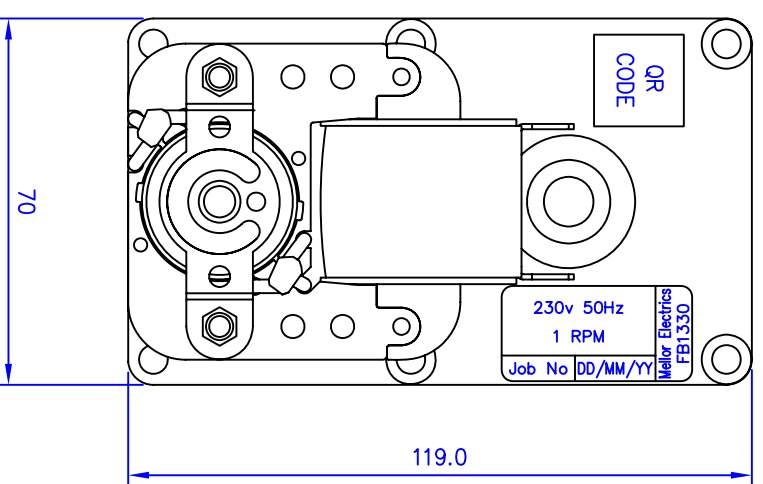
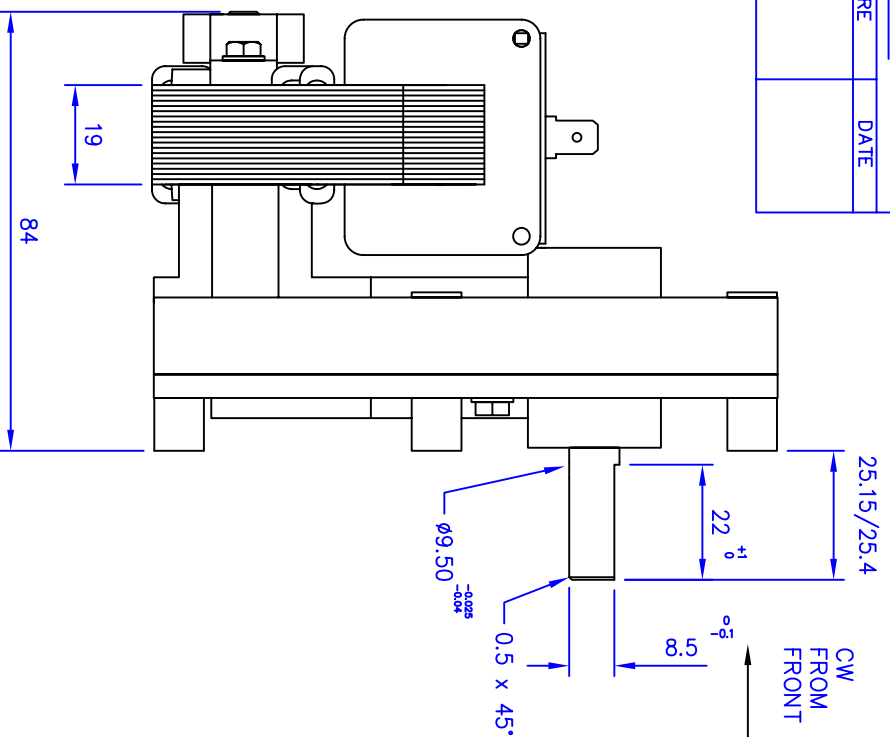
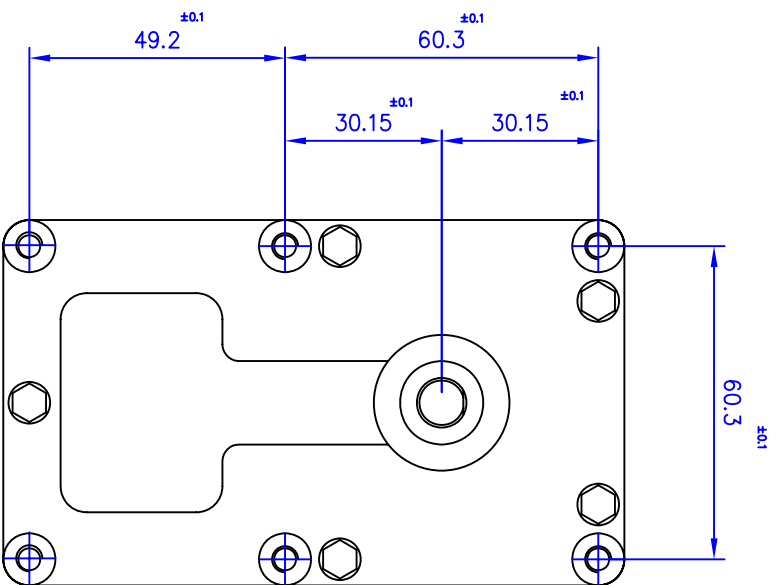


APPROVED	
SIGNATURE	DATE



MOTOR SPEC

MEM 280 (230v 50HZ)
 0.75" BOBBIN (NYLON – GLASS FILLED CLASS F)
 SOLDERABLE POLYURETHANE WIRE (CLASS H, UL APPROVED)
 125°C SELF RESETTING THERMOSTAT FITTED (UL APPROVED)
 6.35mm MALE TAGS FITTED
 COVER WITH GLASS CLOTH TAPE (CLASS F)
 GEARBOX TO RUN CLOCKWISE WHEN VIEWED FROM THE FRONT

TECHNICAL DATA

INPUT POWER @ 230v 50Hz – 16WATTS
 NOMINAL CURRENT @ 230v 50Hz – 0.16Amps
 STALLED CURRENT @ 230v 50Hz – 0.21Amps
 STALL TORQUE @ 230v 50Hz – 30Nm
 START TORQUE @ 230v 50Hz – 22Nm

MELLOR ELECTRICS Ltd
 BLACKBURN ENGLAND

APPROVED
 DRAWN

–

LC

–

05/11/15

DESCRIPTION

T3 SC9-075 1RPM 230v 50Hz

SOFTING ITALIA

PART No
 FB1330